

## WEB CONTROL PRODUCTS

TECHNICAL DATA SHEET

### Signal Conditioner SC100

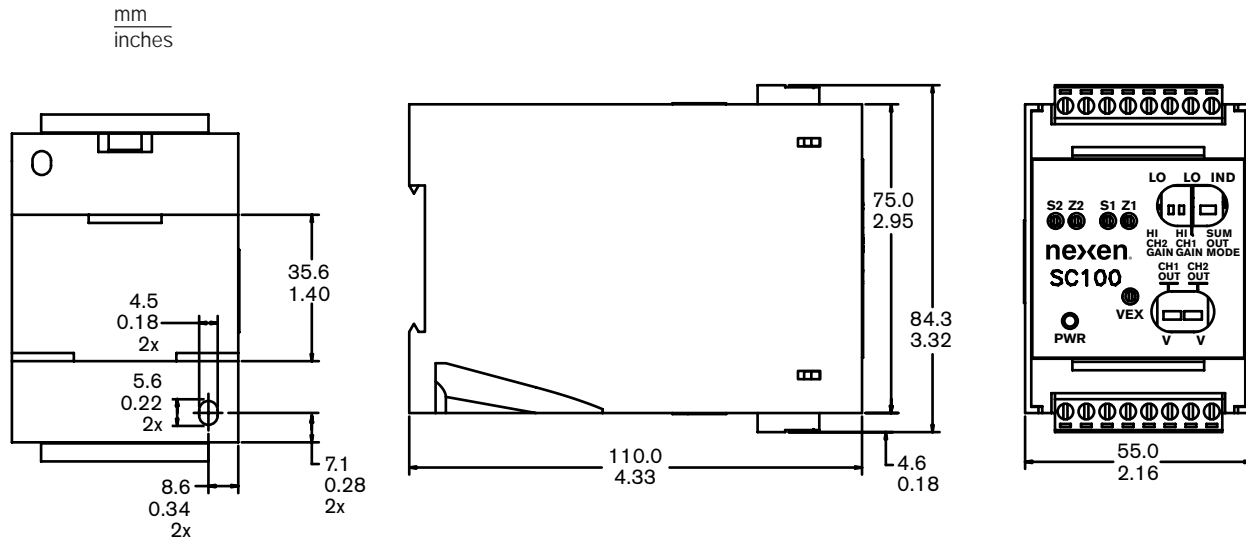
Nexen's SC100 signal conditioner provides excitation and signal processing to amplify low voltage sensor signals. Signals are amplified to industry standard voltage/current levels and outputs are suitable for use with indicators, PLCs, PCs and web controls.

The SC line offers two sensor channels, and supports two different sensor families: differential signal sensors and single-ended signal sensors. Differential sensors such as strain gauge load cells are used to measure force or tension. Single-ended sensors such as LVDT load cells and web guide sensors are used to measure force, tension or web edge position. Operators can optimize signal conditioner outputs using either the summation of both sensor channels or each channel individually.



- Use with indicators, PLCs, PCs, or web controls
- Supports differential signal sensors and single-ended signal sensors
- Gain: Low or high, user selectable based on input range
- Bipolar, adjustable excitation voltage
- Compatible with all Nexen web sensors and a variety of other sensors
- DIN rail mountable
- Two input channels
- Power supply, +24 VDC
- Input range per channel: Individual outputs: 0-1V maximum  
Summed output: 0-500 mV maximum
- Calibration via on-board zero and span potentiometers
- CE and ETL certified

## Signal Conditioner, Approximate Dimensions



SC100 Part Number: 964420

## Specifications

Power Supply	+24 VDC at 500 mA	
Isolated Power Supply (optional)	+24 VDC at 150 mA	
Analog Inputs	Individual: 0-1 V max Summed: 0-500 mV max	
Operating Ambient Temperature	0°C [32°F] to 60°C [140°F]	
Outputs	Control (Analog)	0-10 VDC
	Control (Analog)	4-20 mA
	Sensor Excitation Voltage	±5 to ±15 V Adjustable
Enclosure	Polycarbonate, UL94	
DIN Rail	35 mm	

## Nexen Sensor Compatibility

SENSOR	EXCITATION VOLTAGE	QUANTITY
MB Series (LVDT)	6V	2
SW Series (Strain Gauge)	6V	2
PH16	12V	2
PH21	12V	2
UH21	±15V	1
LH100	±15V	1

# nexen®

[www.nexengroup.com](http://www.nexengroup.com)

### Headquarters

Nexen Group, Inc.  
 560 Oak Grove Parkway  
 Vadnais Heights, MN 55127-8509  
 Phone: 1-800-843-7445  
 or 651-484-5900  
 Fax: 651-286-1099

### Europe

Nexen Europe Group  
 Koningin Astridlaan 59, B12  
 1780 Wemmel,  
 Brussels, Belgium  
 Phone: (32) 2 461-0260  
 Fax: (32) 2 461-0248

### Australia

Norman G. Clark (A/Asia) PTY. LTD.  
 44 Kylta Road  
 West Hiedelberg, Victoria 3081 Australia  
 Phone: 61-3-9457-5833  
 Fax: 61-3-9457-5781

### Japan

Nexen Japan Group  
 3-3-1-403, Midori-Cho  
 Fuchu-City, Tokyo 183 Japan  
 Phone: 81-423-36-3533  
 Fax: 81-423-36-6534



In accordance with Nexen's established policy of constant product improvement, the specifications contained in this document are subject to change without notice. Technical data listed in this document are based on the latest information available at the time of printing and are also subject to change without notice. For current information, please consult: [www.nexengroup.com](http://www.nexengroup.com)